

INTERPUMP FLUID SOLUTIONS In Partnership with **MGILAB**

MGQUIX





Technical Product Information

The product

MGQuix system is based on the capacity of a flexible component to lock the male part in a suitably shaped seat, by means of a single push movement (PUSH).

The female part can be made of various hydraulic components to be connected with pumps, valves, motors, jacks

Special adapters have been developed to maintain the full compatibility and interchangeability with any type of threaded joint system available in the market.

Main features

QUICK AND EASY TO CONNECT AND DISCONNECT.

NO TOOL REQUIRED FOR CONNECTION.

QUICK DISCONNECTION WITH THE USE OF A SIMPLE TOOL.

IMMEDIATE CONTROL OF THE COMPLETE CONNECTION.

POSSIBILITY TO CHECK THE CONNECTION IN THE MOST DIFFICULT SITUATIONS USING A SPECIFIC CLAMP (OPTIONAL).

POSSIBILITY OF ADAPTATION IN OSCILLATION FOR REDUCED CORNERS.

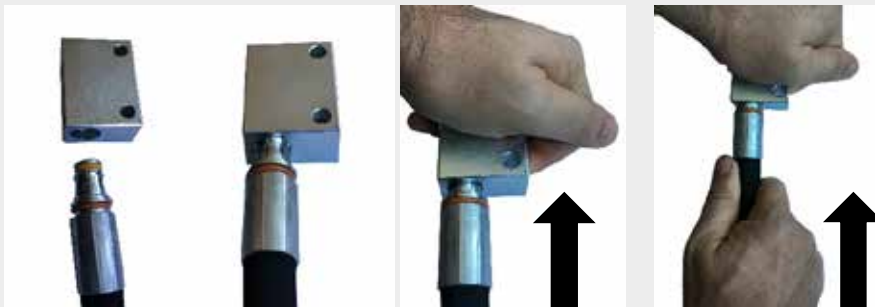
REDUCTION OF THE REQUIRED DIMENSIONS FOR THE ASSEMBLY (INSTALLATION LAYOUT).

IMPOSSIBILITY OF DISCONNECTION WITH A FLUID THAT IS STILL UNDER PRESSURE.

Technical Instructions and Mode of Connection

A. Connection

1. PUSH THE MALE COMPONENT INTO THE SEAT FOR THE WHOLE LENGTH



2. PULL STRICTLY BACKWARDS TO VERIFY THE CONNECTION.

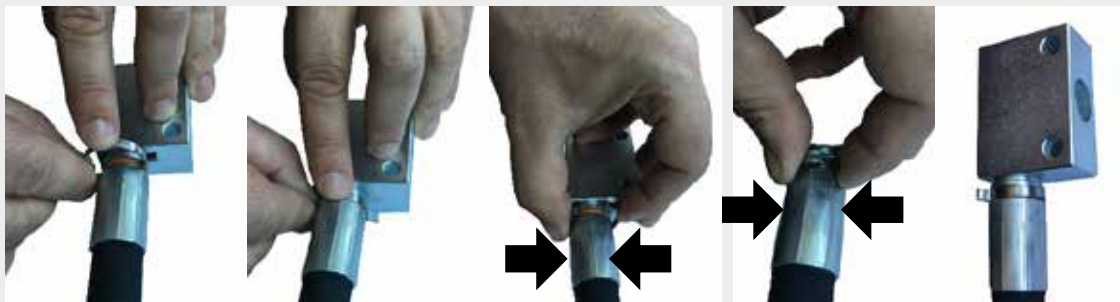


IF THE COMPONENT COMES OUT BY PULLING IT, CAREFULLY REPEAT POINT 1

3. TIGHTEN THE CLAMP ON THE O-RING UNTIL IT IS CLOSED. THE TIGHTENING OF THE CLAMP IS A GUARANTEE OF THE RIGHT CONNECTION

IF IT IS NOT POSSIBLE TO COMPLETE POINT 3. RESUME THE PROCEDURE FROM POINT 2.

OPTIONAL



Technical Instructions and Mode of Connection

B. Disconnect

IT IS POSSIBLE TO DISCONNECT USING THE PROVIDED KEY (ONE FOR EACH SIZE), IF NEEDED OR IN CASE OF URGENCY IT CAN BE CARRIED OUT WITH EASILY AVAILABLE TOOLS (FOR INSTANCE SCREWDRIVERS).

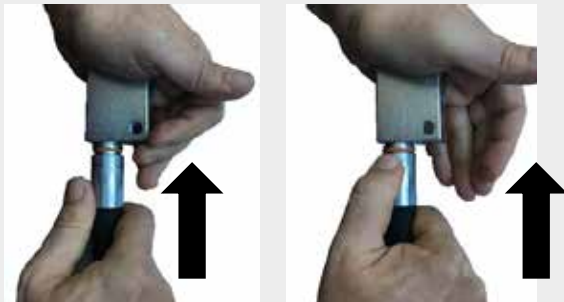
1. MAKE SURE YOU HAVE DEPRESSURIZED THE SYSTEM.

2. REMOVE THE STOP CLAMP BY USING A SCREWDRIVER

OPTIONAL



3. PUSH THE HOSE FIRMLY AS IN THE CONNECT STEP.



4. INSERT THE SUPPLIED KEY AND PUSH TO DISCONNECT THE HOSE FROM THE SEAT

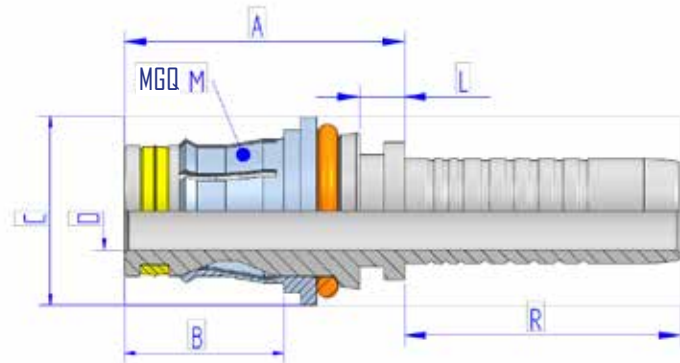


Main Index - MGQ

Straight fitting	6
Swept Elbow Male	7
Swept Elbow Female	9
MALE ADAPTOR	10
MALE-FEMALE ADAPTOR	11
PLUGS	12

MGQ

Straight Male D MGQ

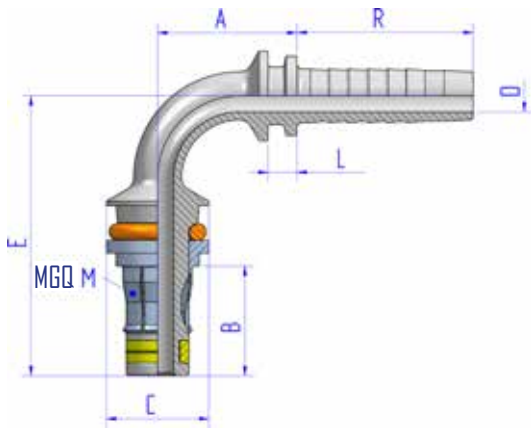


Dimension chart

Part no.	MGQ	Size	Dimension						Weight (g)	MOQ (Box Qty)
			C	A	L	B	D	R		
MX000-03-04	4	3/16 "	16	30,4	4,5	17	2,7	25	18	
MX000-04-04	4	1/4 "	16	30,4	4,5	17	4,5	27,3	19	10
MX000-05-04	4	5/16 "	16	29,9	4,5	17	4,5	27,3	23	10
MX000-06-06	6	3/8 "	19	32,8	4,5	19,1	7	31,9	32	10
MX000-08-08	8	1/2 "	23	33,7	5	19,5	9,5	33,8	51	10
MX000-10-12	12	5/8 "	23	35,2	5	20	12	34,5	97	
MX000-12-12	12	3/4 "	30	35,2	5	20	15	42,4	91	10
MX000-16-16	16	1 "	42	55,5	8,5	33,6	20	72,5	305	5

Part no.	MGQ	Size	Dimension						Weight (g)	MOQ (Box Qty)
			C	A	L	B	D	R		
MX000H12-12	12	3/4 "	30	35,2	5	20	15	42,4	91	5
MX000H16-16	16	1 "	42	67,5	21	33,6	20	56	305	5

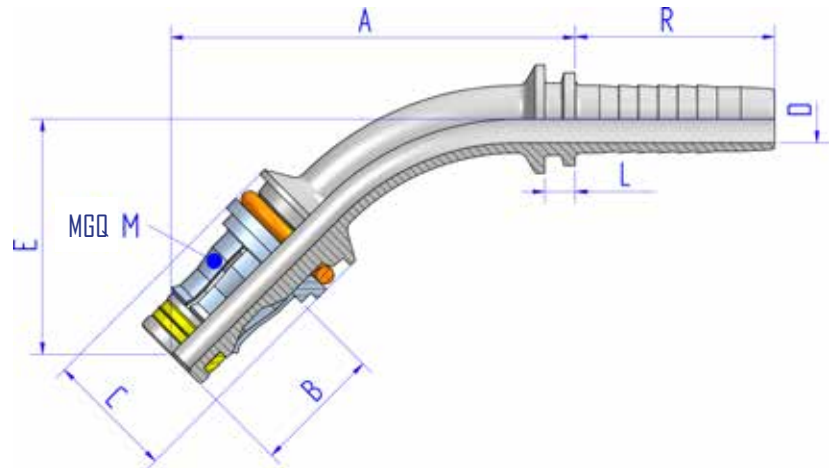
Swept Elbow Male 90°



Dimension chart

Part no.	MGQ	Size	Dimension							Weight (g)	MOQ (Box Qty)
			A	E	C	L	B	D	R		
MX090-03-04	4	3/16 "	24,2	38,7	16	5,1	17	2,7	25	36	
MX090-04-04	4	1/4 "	24,2	38,7	16	4,2	17	4,5	27.5	38	10
MX090-05-04	4	5/16 "	25,8	38,7	16	4,5	17,1	5	27.5	40	10
MX090-06-06	6	3/8 "	33	58	19	4,5	19,1	7	29.5	59	10
MX090-08-08	8	1/2 "	37,7	64,2	23	4,8	19,5	9,5	31.5	91	10
MX090-10-12	12	5/8 "	46,7	81,2	30	6,5	20	12	34.5	189	
MX090-12-12	12	3/4 "	46,7	81,2	30	6,5	20	15	39.5	191	10
MX090-16-16	16	1 "	94.4	96.6	42	8.5	37	19	72.5	525	5

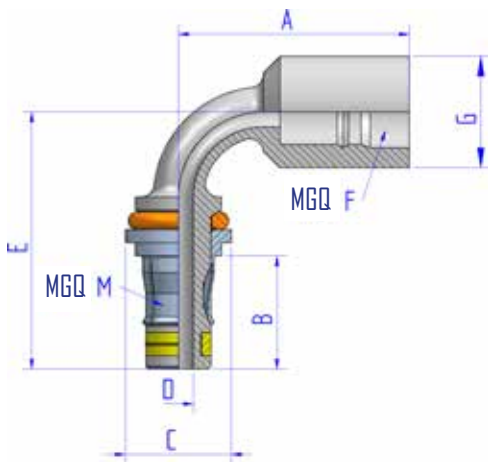
Swept Elbow Male 45° MGQ



Dimension chart

Part no.	MGQ	Size	Dimension							Weight (g)	MOQ (Box Qty)
			A	E	C	L	B	D	R		
MX045-03-04	4	3/16 "	23,1	48	16	5,1	17	2,5	25	36	
MX045-04-04	4	1/4 "	23,1	48	16	4,2	17	4,5	27,5	38	10
MX045-05-04	4	5/16 "	32,1	48,5	16	4,5	17,1	5	27,5	40	10
MX045-06-06	6	3/8 "	29,5	59,8	19	4,5	19,1	7	29,5	59	10
MX045-08-08	8	1/2 "	32,1	64,6	23	4,8	19,5	9,5	31,5	91	10
MX045-10-12	12	5/8 "	41,5	82,3	30	6,5	20	12	34,5	189	
MX045-12-12	12	3/4 "	41,5	82,3	30	6,5	20	15	39,5	191	10
MX045-16-16	16	1 "	124,5	64,8	42	8,5	37	19	72,5	525	5

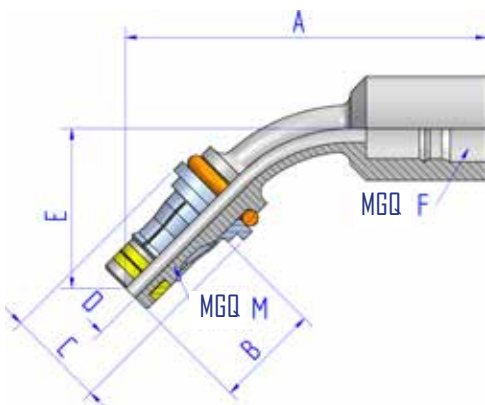
Swept Elbow Male/Female 90° MGQ



Dimension chart

Part no.	MGQ	Dimension						Weight (g)	MOQ (Box Qty)
		A	E	C	B	D	G		
MXC90-04-04	4	38,7	17	16	34,8	4,5	16.8	43	10
MXC90-06-06	6	48,4	19,1	19	42,5	7	19.5	64	10
MXC90-08-08	8	52,8	19,5	23	49,6	9,5	23	94	10
MXC90-12-12	12	66,4	19,9	30	64,7	15	30	189	10
MXC90-16-16	16	94,4	37	42	96,6	19,2	42	559	5

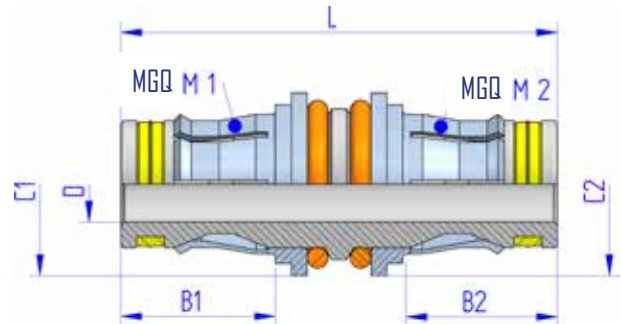
Swept Elbow Male/Female 45°



Dimension chart

Part no.	MGQ	Dimension						Weight (g)	MOQ (Box Qty)
		A	E	C	B	D	G		
MXC45-04-04	4	23,1	17	16	59,6	4,5	16.8	43	10
MXC45-06-06	6	29,5	19,1	19	74,5	7	19.5	64	10
MXC45-08-08	8	32,1	19,5	23	80,8	9,5	23	94	10
MXC45-12-12	12	41,5	19,9	30	101,9	15	30	189	10
MXC45-16-16	16	64,8	37	42	154,5	19,2	42	559	5

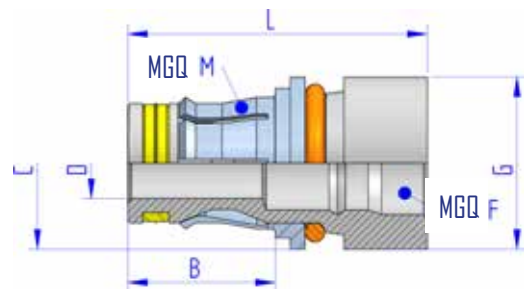
Adaptor M-M MGQ



Dimension chart

Part no.	MGQ M 1	MGQ M 2	Dimension				Weight (g)	MOQ (Box Qty)
			L	B1/B2	C1/C2	D		
MXGMM-04-04	4	4	49,2	17	16	4,5	26	10
MXGMM-06-06	6	6	54,2	19,1	19	7	40	10
MXGMM-08-08	8	8	55	19,5	23	9,5	60	10
MXGMM-12-12	12	12	56,4	19,5	30	15	94	10

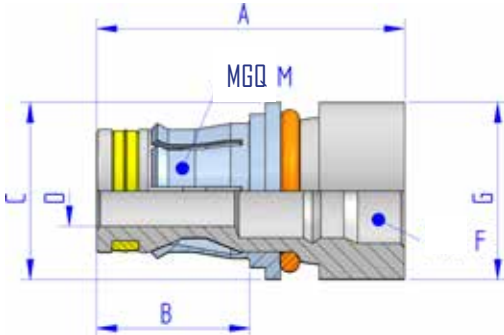
Adaptor M-F MGQ



Dimension chart

Part no.	MGQ M	MGQ F	Dimension					Weight (g)	MOQ (Box Qty)
			C	B	D	G	L		
MXGMF-04-06	4	6	16	17	4,5	19	49,8	43	10
MXGMF-06-08	6	8	19	19,1	7	23	52,5	60	10
MXGMF-08-12	8	12	23	19,5	9,5	30	55	104	10

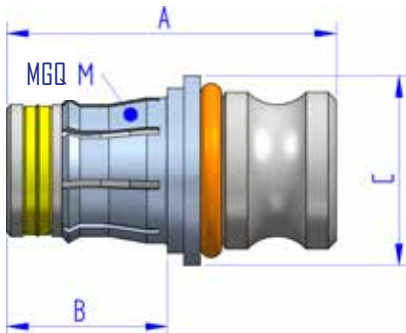
Reduction M-F MGQ



Dimension chart

Part no.	MGQ M	MGQ F	Dimension					Weight (g)	MOQ (Box Qty)
			C	B	D	G	A		
MXGMF-06-04	6	4	19	19,1	7	19	36,5	43	10
MXGMF-08-06	8	6	23	19,5	9,5	23	40	60	10
MXGMF-12-08	12	8	30	20	7,5	25	50	104	10

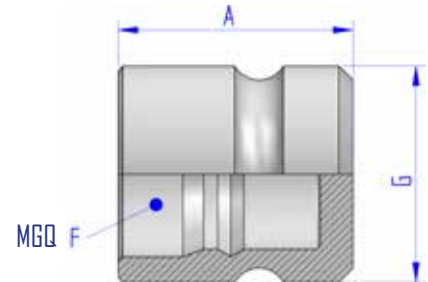
Plug MGQ_M



Dimension chart

Part no.	MGQ	Dimension			Weight (g)	MOQ (Box Qty)
		C	B	A		
MX0TM-04	4	16	17	42	40	10
MX0TM-06	6	19	19,1	43	58	10
MX0TM-08	8	23	19,5	42	82	10
MX0TM-12	12	30	19,5	44	146	10
MX0TM-16	16	42	33,6	61,5	168	5

Plug MGQ_F



Dimension chart

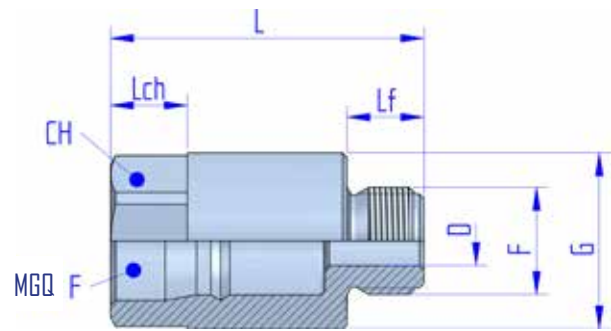
Part no.	MGQ	Dimension		Weight (g)	MOQ (Box Qty)
		G	A		
MX0TF-04	4	16	22	19	10
MX0TF-06	6	19	24	27	10
MX0TF-08	8	23	25	39	10
MX0TF-12	12	30	25	64	10
MX0TF-16	16	42	39	83	

Main Index - Adapters

Adapters	14
SAE Flanges	18
Welding Adapters	21
Banjo Eye	22
T Adapters	23
Bulkhead.....	24

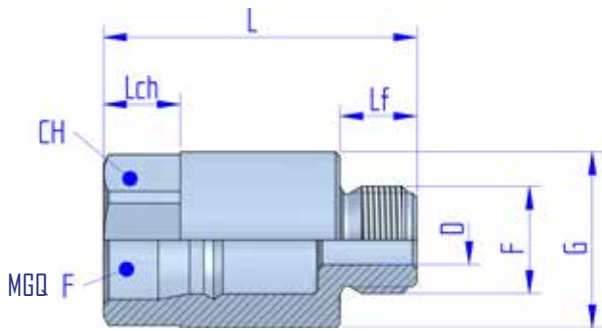
ADAPTERS

Adapter Gas M - MGQ F



Dimension chart

Part no.	MGQ	Dimension							Weight (g)	MOQ (Box Qty)
		F	L	G	D	Lf	CH	L ch		
MX0AG-04-04	4	GAS 1/4	24	19	9,8	12	17	9.1	19	10
MXAGL-04-04	4	GAS 1/4	33,5	19	4,5	12	17	9	41	10
MX0AG-06-06	6	GAS 3/8	26	22	12,5	12	19	12	26	10
MXAGL-06-06	6	GAS 3/8	35	22	7	12	19	10	53	10
MX0AG-08-08	8	GAS 1/2	26	27	16	12	24	12	38	10
MXAGL-08-08	8	GAS 1/2	37	27	9,5	14,5	24	10	85	10
MX0AG-12-12	12	GAS 3/4	35	32	15	12	27	10	94	10
MX0AG-06-04	4	GAS 3/8	22	22	9,8	12	19	8	28	10
MX0AG-08-04	4	GAS 1/2	19,5	27	9,8	13	24	5	42	10
MX0AG-02-04	4	GAS 1/8	28	16	4,5	7	14	7	22	10
MX0AG-04-06	6	GAS 1/4	37	21	7	12	19	9	39	10
MX0AG-08-06	6	GAS 1/2	26	27	12,5	12	24	12	54	10
MX0AG-12-06	6	GAS 3/4	26	32	12,5	12	27	12	90	10
MX0AG-12-08	8	GAS 3/4	26	32	16	12	27	12	73	10
MX0AG-06-08	8	GAS 3/8	37	27	9,5	12	24	12	70	10
MX0AG-08-12	12	GAS 1/2	37	34	12	12	30	12	101	10
MX0AG-16-12	12	GAS 1	30	41	21,8	16	36	11	128	10
MX0AG-16-16L43	16	GAS 1	114	50	20	19	46	95	998	5
MX0AG-16-16L95	16	GAS 1	62	50	20	19	46	43	397	5

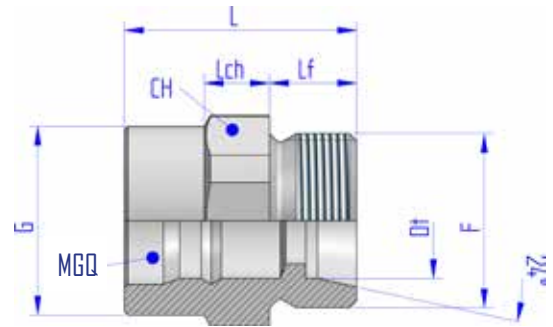


Adapter Metric M - MGQ F

Dimension chart

Part no.	MGQ	Dimension							Weight (g)	MOQ (Box Qty)
		F	L	G	D	LF	CH	LCH		
MX0AM-12-04	4	M12 x 1,5	31,5	19	4,5	10	17	7	38	10
MX0AM-10-04	4	M10 x 1	28,5	16	4,5	7	14	7	22	10
MX0AM-18-06	6	M18 X 1,5	26	22	12,5	12	19	12	29	10
MX0AM-22-06	6	M22 x 1,5	26	27	12,5	12	24	12	58	10
MX0AM-27-06	6	M27 x 1,5	45	30	15	14	24	9	106	10
MX0AM-14-06	6	M14 x 1,5	37	21	7	12	19	9	43	10
MX0AM-22-08	8	M22 x 1,5	36	27	16	12	24	12	42	10
MX0AM-18-08	8	M18 x 1,5	36,5	26	9,5	12	24	10	80	10
MX0AM-33-08	8	M33 x 2	22	42	16	12	36	8	123	10
MX0AM-27-08	8	M27 x 2	26	32	16	12	27	12	75	10

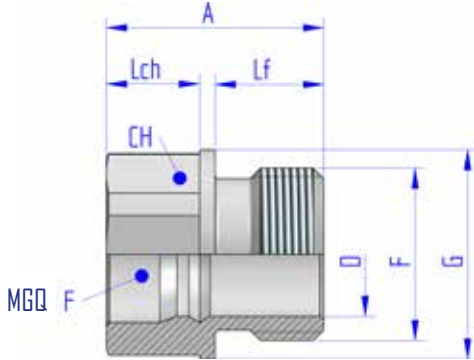
Adapter DIN 24° M - MGQ F



Dimension chart

Part no.	MGQ	Dimension							Weight (g)	MOQ (Box Qty)
		F	L	G	Dt	Lf	CH	Lch		
MXGTL-08-04	4	M 14 X 1,5	30	29	8 L	10	17	19.9	22	
MXGTL-10-04	4	M 16 X 1,5	28	21	10 L	12	19	10	28	
MXGTL-12-06	6	M 18 X 1,5	32	29	12 L	12	22	9	35	
MXGTL-15-06	6	M 22 X 1,5	35	29	15 L	12	27	11.2	94	10
MXGTL-15-08	8	M 22 X 1,5	35	39	15 L	12	27	9	78	10
MXGTL-22-08	8	M 26 X 1,5	31	32	18 L	12	32	10	74	10
MXGTL-22-08	8	M 33 X 2	31.5	29	22 L	14	36	10.9	145	
MXGTL-22-12	12	M 33 X 2	31,5	16	22 L	14	36	8	101	
MXGTS-16-08	8	M 24 X 1,5	32	28	16 S	12	30	10	78	
MXGTS-20-12	12	M 30 X 2	31	4	20 S	12	36	9	81	10
MXGTS-30-16	16	M42x2	57	44	30 S	20.4	50	22.6	399	

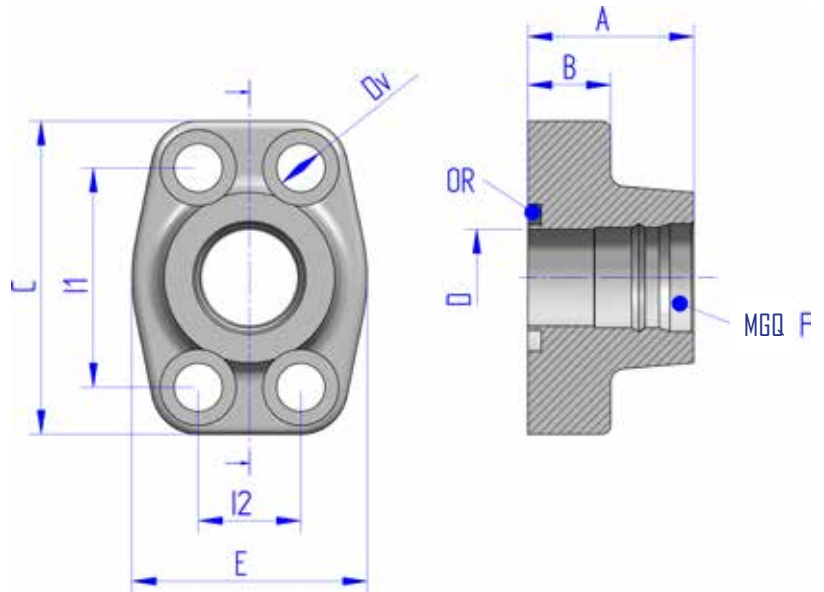
Adapter MGQ_F – UNF-UN_M



Dimension chart

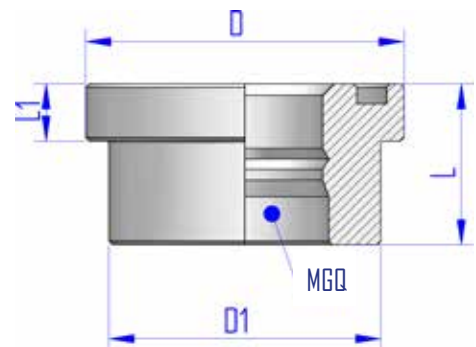
Part no.	MGQ	Dimension							Weight (g)	MOQ (Box Qty)
		F	A	G	D	Lf	CH	Lch		
MX0AU-06-04	6	9/16-18 UNF	36	18.5	8	11	19	8	39	10
MX0AU-04-04	4	7/16-20 UNF	32	19	6	10	17	8	37	10
MX0AU-10-06	6	7/8-14 UNF	28	27	12,5	14	24	12	61	10
MX0AU-10-08	8	7/8-14 UNF	28	27	16	14	24	12	44	10

SAE Flange 3000 MGQ_F



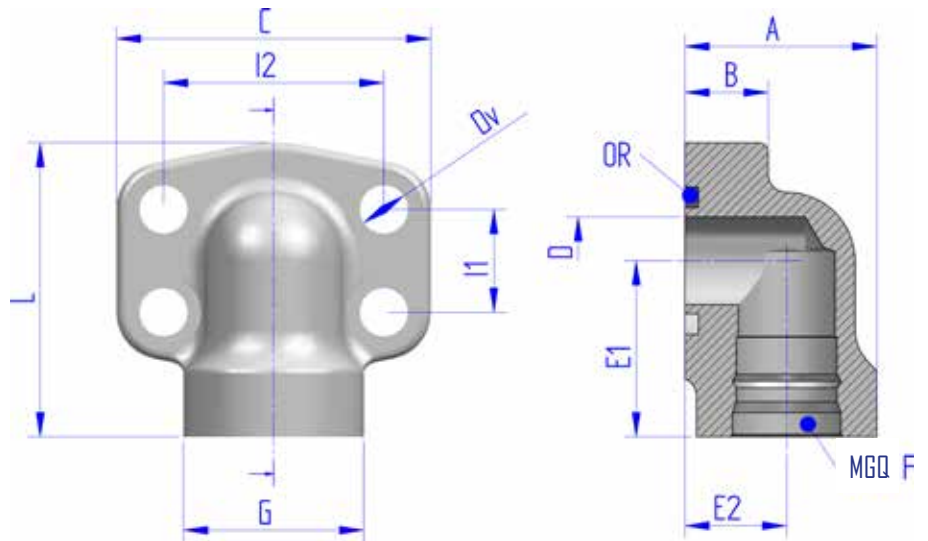
Part no.	MGQ	Dimension									Weight (g)
		D	A	B	C	E	I1	I2	Dv	OR	
MXFFL3-12-12	12	21	35.5	18	68	51	47.6	22.2	10.5	4100	419
MXFFL3-16-16	16	32	38	21	71	56	52.37	26.19	10.5	4113	467

Adapter SAE 3000 MGQ



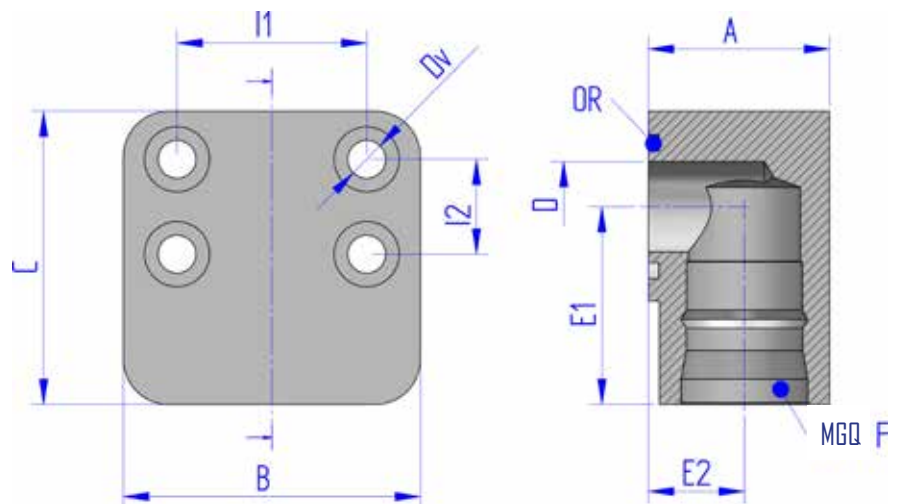
Part no.	MGQ	Dimension				Weight (g)
		D	D1	L	L1	
MXFL3-12-12	12	44,5	38	22,5	8	143

Adapter SAE 3000 90° MGQ



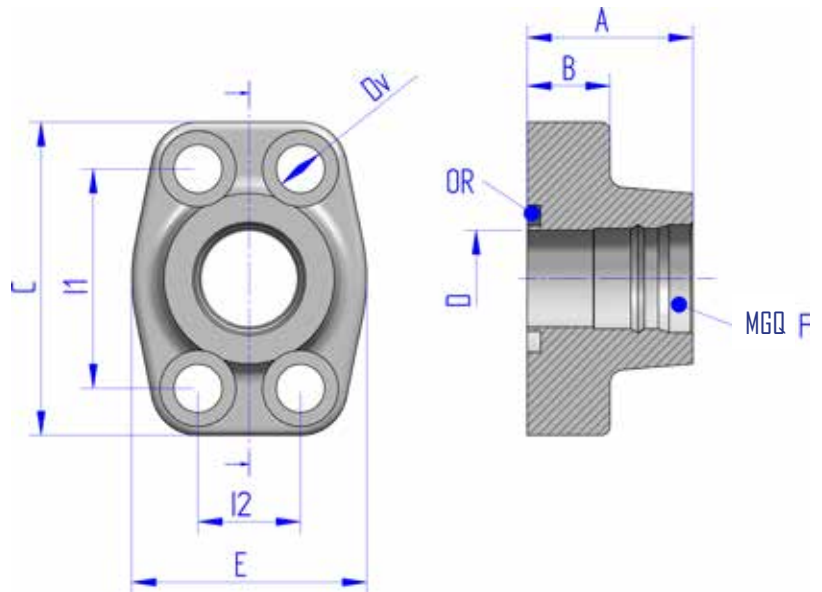
Part no.	MGQ	Dimension												Weight (g)
		D	L	A	B	C	G	E1	E2	I1	I2	Dv	OR	
MXFL390-12-12	12	19	63.5	41.5	18	68	39	38	22	22.23	47.63	10.5	41100	470

SAE Flange 3000 90°



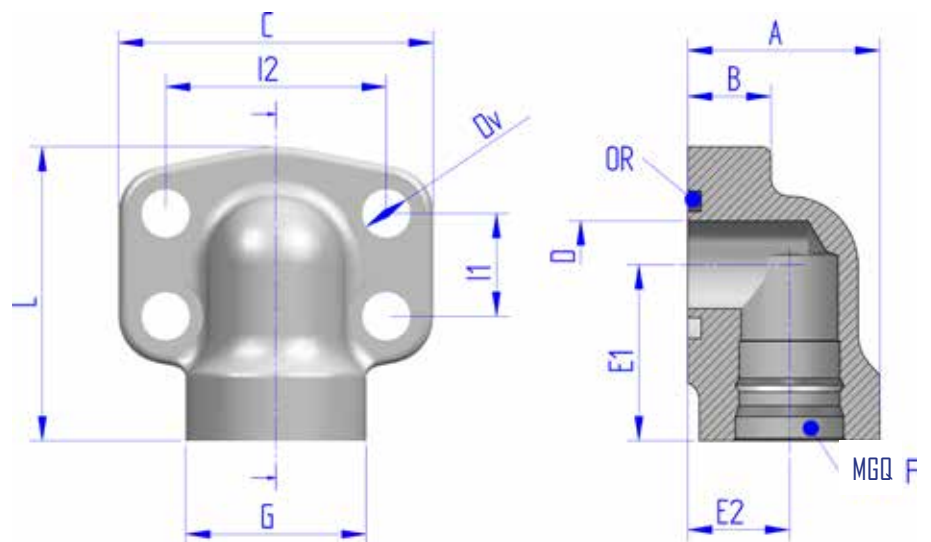
Part no.	MGQ	Dimension										Weight (g)
		D	A	B	C	E1	E2	I1	I2	Dv	OR	
MXFL390-16-16	16	25	50	82	81	54.6	26.5	52.37	26.19	10.5	4113	1839

Adapter SAE 6000 MGQ



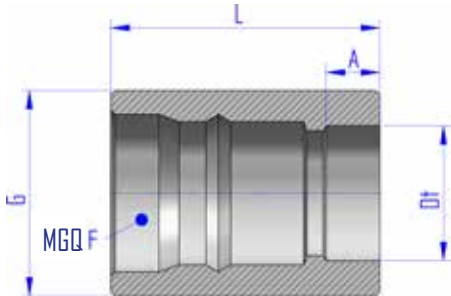
Part no.	MGQ	Dimension									Weight (g)
		D	A	B	C	E	I1	I2	Dv	Or	
MXFFL6-12-12	12	21	36	21	71	54	50.8	23.8	10.5	4100	596
MXFFL6-16-16	16	32	42	25	81	68	57.15	27.76	13	4113	760

Adapter SAE 6000 90° MGQ



Part no.	MGQ	Dimension											Weight (g)	
		D	L	A	B	C	G	E1	E2	I1	I2	Dv		Or
MXFFL690-12-12	12	19	68	50.5	20	72	45	41	28	23.8	50.8	10.5	4100	755
MXFFL690-16-16	16	25	84.3	55	24	82	54	50	28	22.76	57.15	13	4113	1099

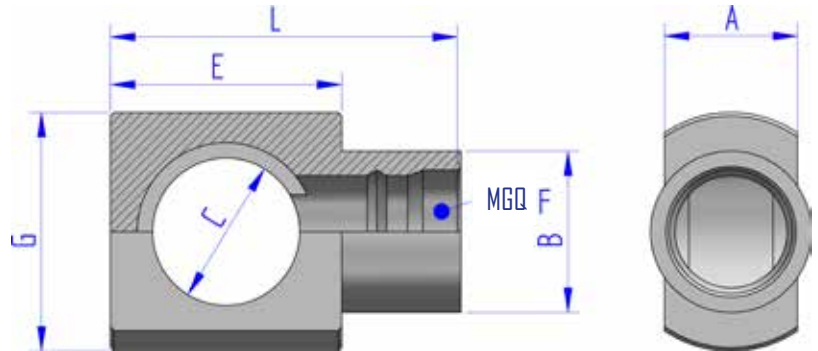
Welding nipple MGQ



Dimension chart

Part no.	MGQ	Dimension				Weight (g)
		Dt	L	A	G	
MXRAS-06-04	4	6	27	6	16	29
MXRAS-08-04	4	8	27	6	16	28
MXRAS-10-04	4	10	27	6	16	26
MXRAS-12-04	4	12	27	6	18	35
MXRAS-10-06	6	10	30	6	19	39
MXRAS-12-06	6	12	30	6	19	37
MXRAS-14-06	6	14	30	6	19	34
MXRAS-15-06	6	15	30	6	20	40
MXRAS-16-06	6	16	30	6	20	39
MXRAS-15-08	8	15	30	6	23	50
MXRAS-16-08	8	16	30	6	23	48
MXRAS-18-08	8	18	30	6	23	45
MXRAS-20-08	8	20	30	6	25	59
MXRAS-18-12	12	18	30	6	30	82
MXRAS-20-12	12	20	30	6	30	79
MXRAS-22-12	12	22	30	6	30	75
MXRAS-25-12	12	25	30	6	30	68

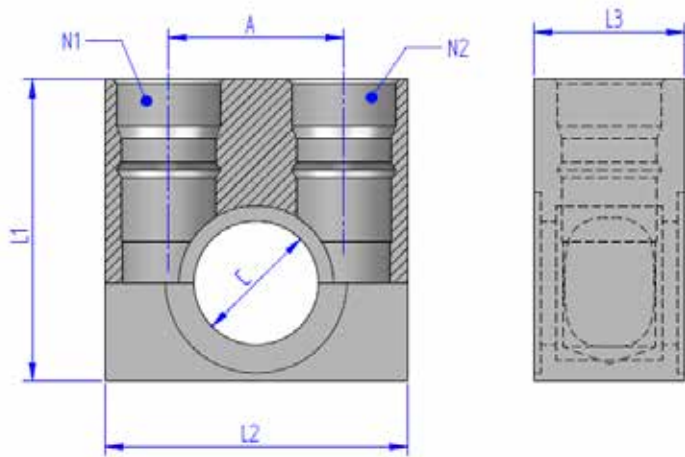
Single Tube Welding nipple – banjo eye type



Dimension chart

Part no.	MGQ	Dimension						Weight (g)	MOQ (Box Qty)
		B	E	C	G	L	A		
MXOCS-00-04	4	16	22	13,5	23	37	14	59	10
MXOCS-00-06	6	19	25	16,6	27	42	16	60	10
MXOCS-00-08	8	23	33	21	30	50	20	110	10

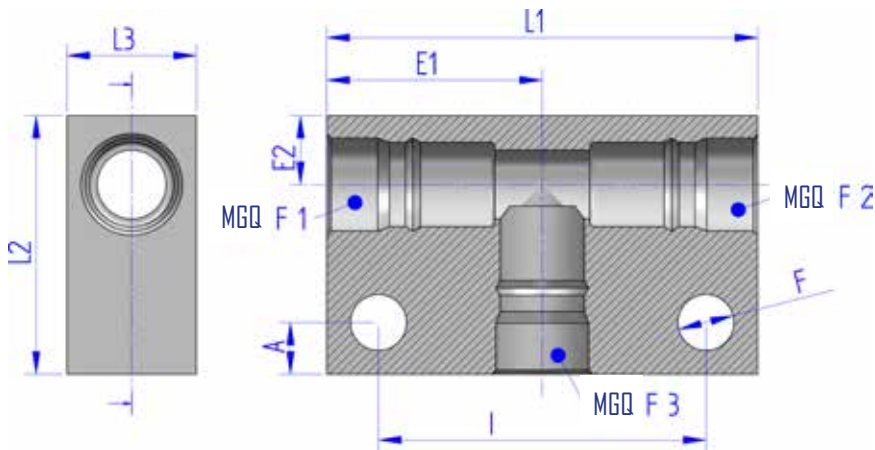
Double Tube Welding nipple – banjo eye type



Dimension chart

Part no.	MGQ		Dimension					Weight (g)	MOQ (Box Qty)
	N1	N2	A	C	L1	L2	L3		
MXOCD-04-04	4	4	20	13,5	35	35	16	122	10
MXOCD-06-06	6	6	23,2	16,5	40	40	20	136	10
MXOCD-08-08	8	8	26	21	50	50	25	160	10

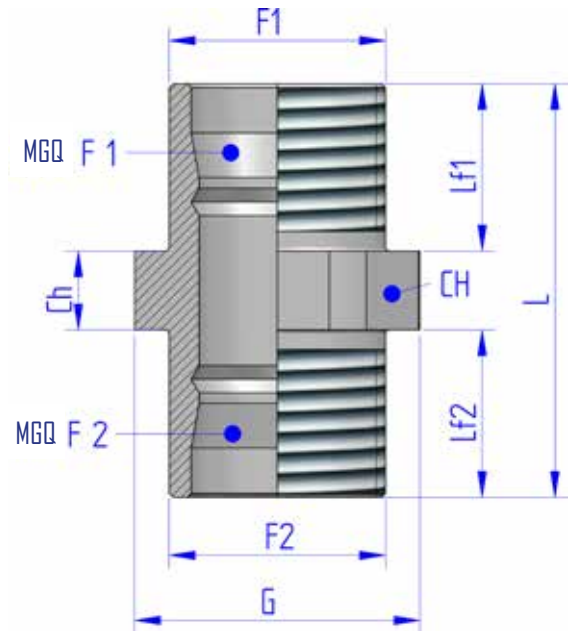
T Junction FFF MGQ (Female)



Dimension chart

Part no.	MGQ			Dimension								Weight (g)
	MGQ F 1	MGQ F 2	MGQ F 3	L1	L2	L3	E1	E2	A	I	F	
MX00T-04	4	4	4	50	30	15	25	8	6	38	6.5	124
MX00T-06	6	6	6	60	40	20	30	11	6.5	47	6.5	276
MX00T-08	8	8	8	60	45	25	30	13	8.5	47.2	8.5	358
MX00T-08-04-08	8	4	8	50	43	25	25	11,5	6.5	37	6.5	310
MX00T-12-12-06	12	12	6	60	40	30	30	13	6	48	6.5	358
MX00T-12-12-08	12	12	8	65	45	30	32,5	15	6	53	6.5	455

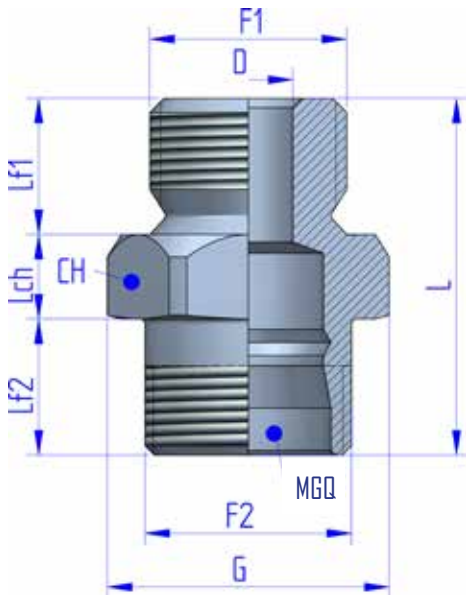
Adapter MGQ FF with bulkhead M



Dimension chart

Part no.	MGQ F 1	MGQ F 2	Dimension									Weight (g)	MOQ (Box Qty)
			F1	F2	L	G	D	LF1	LF2	CH	LCH		
MXPRR-04-04-14	4	4	M14 x 1,5	M14 x 1,5	36	19	9.8	9,1	9,1	17	12	32	10
MXPRR-04-04-18	4	4	M18 x 1,5	M18 x 1,5	38	36	9.8	15	15	24	8	58	10
MXPRR-06-06-18	6	6	M18 x 1,5	M18 x 1,5	42	36	12.5	17	17	24	8	45	10
MXPRR-08-08-22	8	8	M22 x 1,5	M22 x 1,5	42	29	16	17	17	27	8	58	10

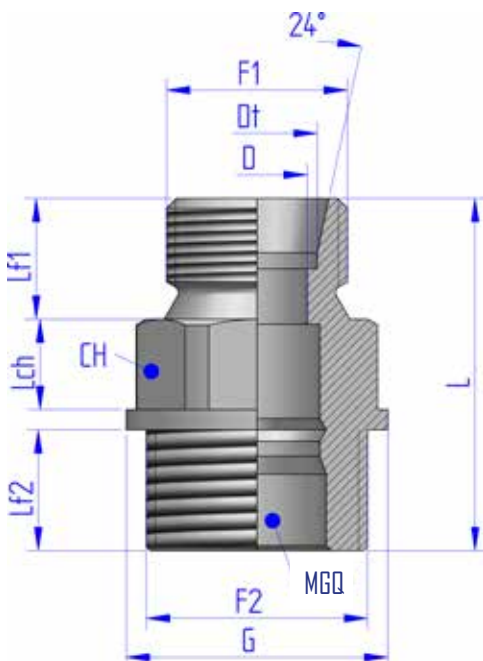
Bulkhead Adapter Gas M - MGQ - MD



Dimension chart

Part no.	MGQ	Dimension									Weight (g)	MOQ (Box Qty)
		F1	F2	L	G	D	LF1	LF2	CH	LCH		
MXPAM-18-06	6	M18 x 1,5	M18 x 1,5	42	26	10	23	11	24	8	54	10
MXPAG-08-06	6	M22 x 1,5	GAS 1/2	40	29	12,5	16	15	27	9	81	10
MXPAG-08-08	8	M22 x 1,5	GAS 1/2	40	30	11	14,5	15	27	10,5	69	10
MXPAG-08-12	8	M30 x 2	GAS 1/2	41	39	12,5	16	15	36	10	114	10

Bulkhead Adapter MGQ F



Dimension chart

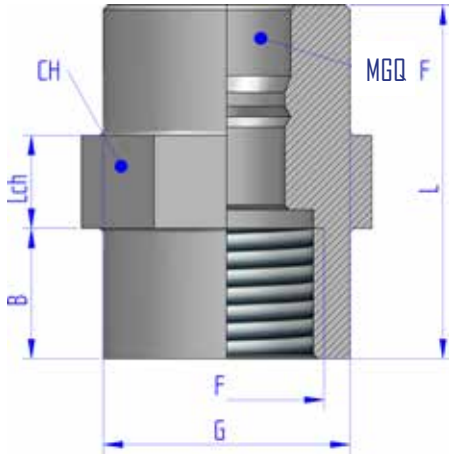
Part no.	MGQ	Dimension									Weight (g)	MOQ (Box Qty)
		F1	F2	L	G	D	LF1	LF2	CH	LCH		
MXPTL-12-06	6	M18 x 1,5	M22 x 1,5	35	26	10	12	12	22	9	63	10

Main Index - SPECIALS

Adapter	27
Junction	28
Air conditioning	31
Accessories	36

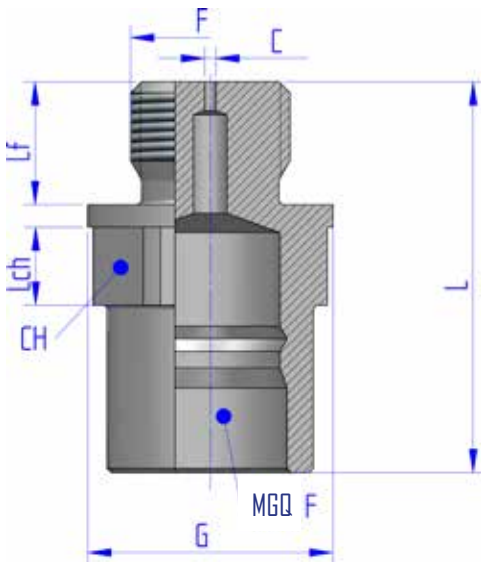
SPECIALS

Adapter MGQ F – GAS F



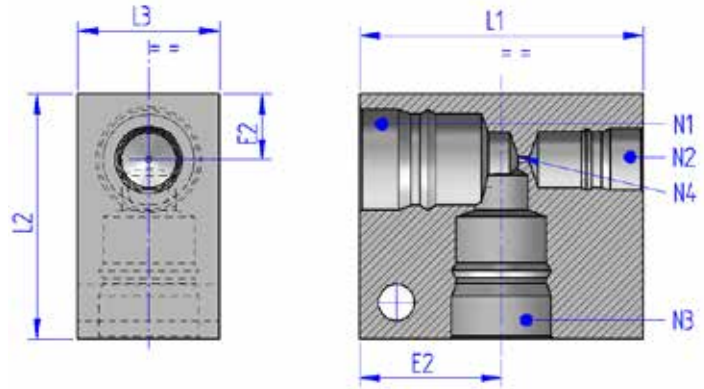
Part no.	MGQ F	Dimension						Weight (g)	MOQ (Box Qty)
		F	L	G	B	CH	Lch		
MXAGF-08-06	6	GAS 1/2	38	26.5	14	27	10	113	10
MXAGF-06-06	6	GAS 3/8	35	23.5	12,5	24	10	82	10

Restrictor adapter UNF M – MGQ F



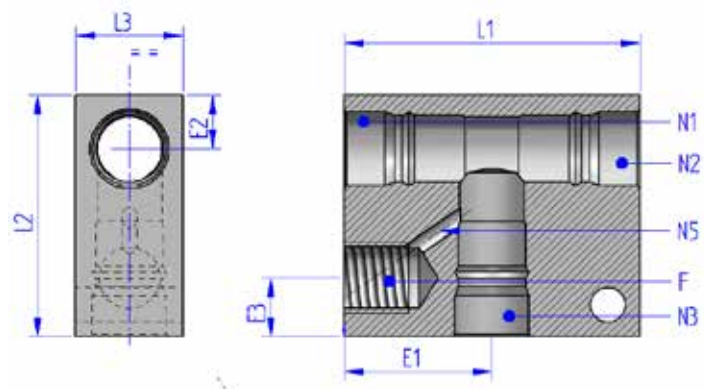
Part no.	MGQ F	Dimension							Weight (g)	MOQ (Box Qty)
		F	L	G	C	Lf	CH	Lch		
MXSAU-04-06-1	6	9/16-18 UNF	35	22	1	11	19	7	43	10
MXSGF-06-06-1.1	6	GAS 3/8	26	22	1,1	12	19	12	32	10

Restrictor T Junction MGQ F



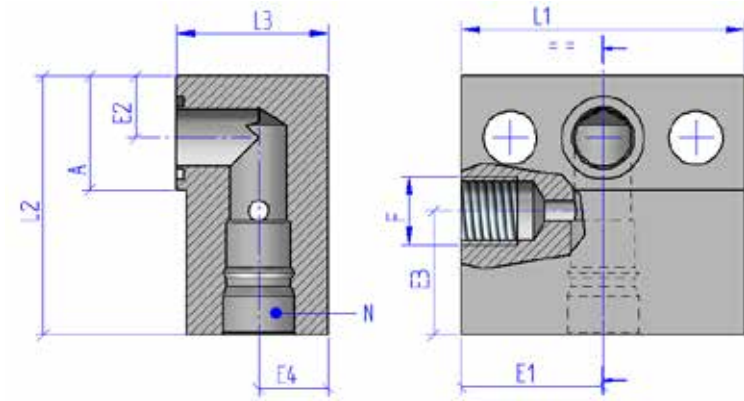
Part no.	MGQ				Dimension					Weight (g)
	N1	N2	N3	N4	L1	L2	L3	E1	E2	
MX0ST-08-04-08	MGQ 8	MGQ 4	MGQ 8	STR. 1	50	43	25	25	11,5	321

T junction with restrictor / BSP thread



Part no.	MGQ					Dimension						Weight (g)	MOQ (Box Qty)
	N1	N2	N3	F	N5	L1	L2	L3	E1	E2	E3		
MX0GT-06-04	MGQ 6	MGQ 6	MGQ 6	GAS 1/4	STR. 3	55	45	20	27,5	10	11	284	10
MX0GT-08-04	8	55	45	29,5	27,5	10	21,4	13,2	GAS 1/4	19	RRM_8	403	10

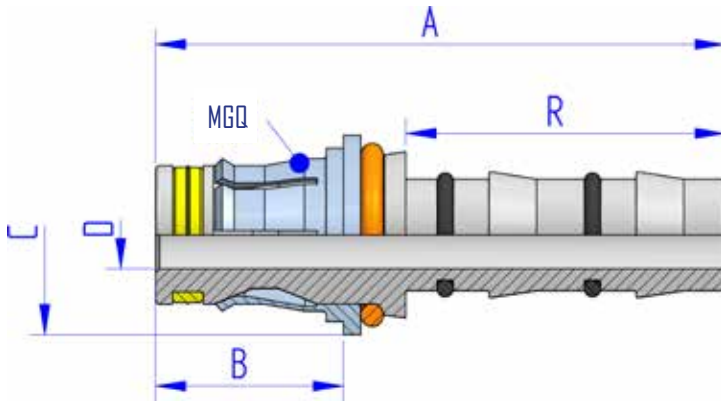
90° BSP Junction / long type



Part no.	MGQ	Dimension										Weight (g)	MOQ (Box Qty)
		L1	L2	L3	E1	E2	E3	E4	F	A	N		
MXVP90-06-04	6	55	50	29,5	27,5	12	24	13,5	GAS 1/4	22	RRM_6	512	10

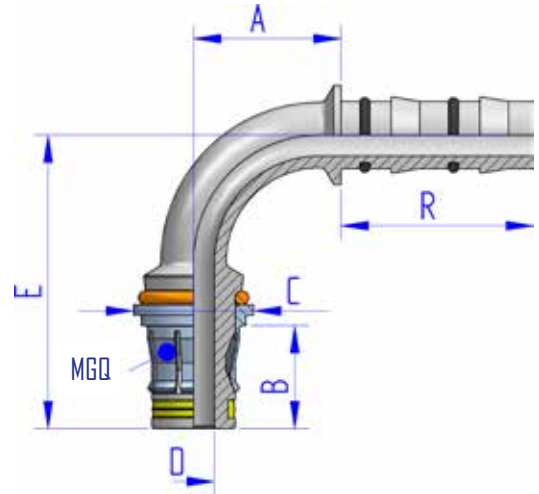
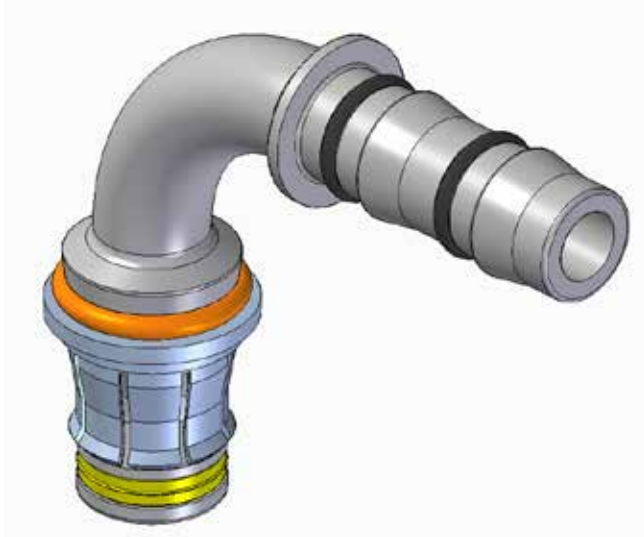
AIR CONDITIONING

Fast clic fitting - clima MGQ



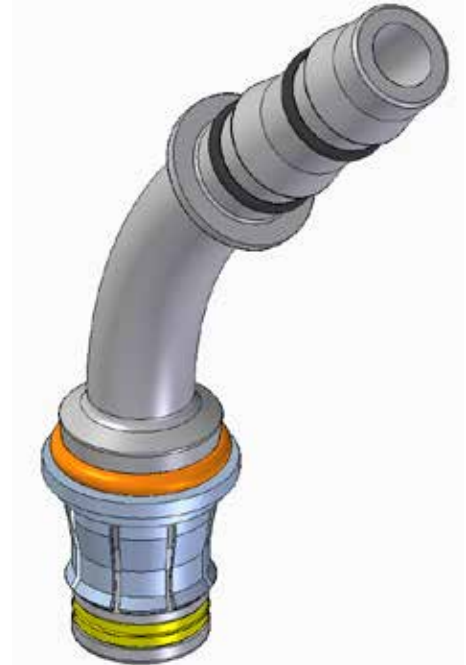
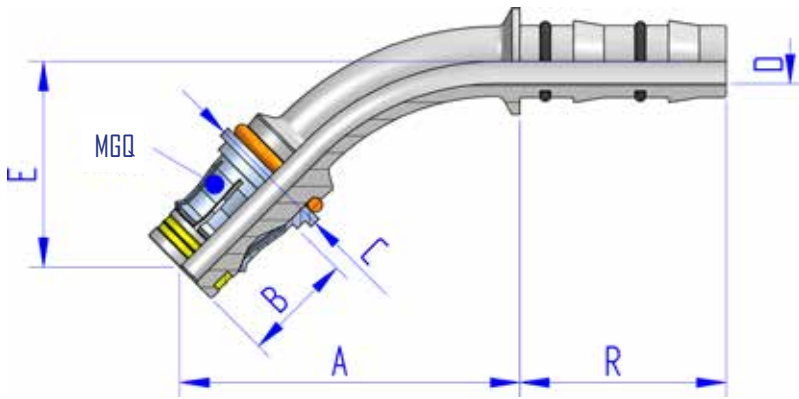
Part no.	MGQ	Size	Dimension					Weight (g)	MOQ (Box Qty)
			A	B	C	D	R		
MXFC00-G06-04	4	5/16 "	63,4	17	16	4	36,9	30	
MXFC00-G08-06	6	13/32 "	67,9	19,1	19	7	36,9	46	
MXFC00-G10-08	8	1/2 "	65,8	19,5	23	8	36,9	71	10
MXFC00-G12-10	10	5/8 "	65,8	19,	26	10	36,9	78	

Fast clic fitting 90° - clima MGQ



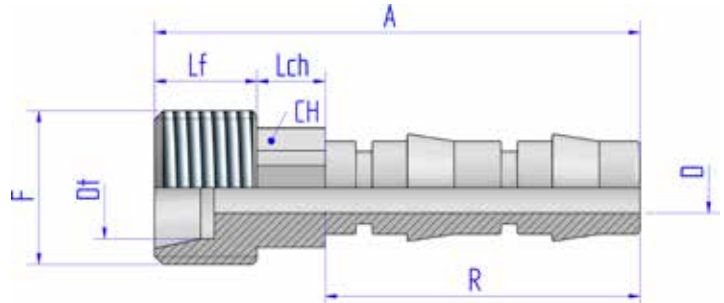
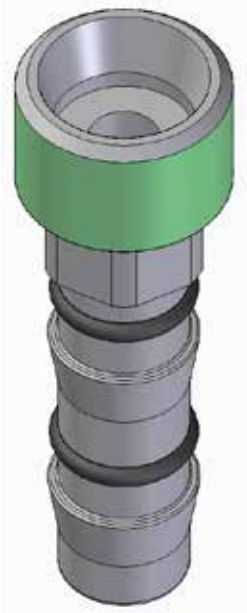
Part no.	MGQ	Size	Dimension						Weight (g)	MOQ (Box Qty)
			A	B	C	D	E	R		
MXFC90-G06-04	4	5/16 "	19,4	16,8	17	4	42,4	36,9	37	
MXFC90-G08-06	6	13/32 "	24,2	21	19,1	8	51,5	36,9	69	
MXFC90-G10-08	8	1/2 "	28,9	19,7	19,5	8	56,1	36,9	99	10
MXFC90-G12-10	8	5/8 "	28,2	19,7	20	10	56,1	36,9	101	

Fast clic fitting 45° - clima MGQ



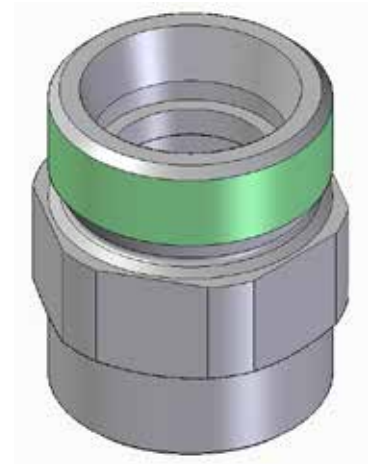
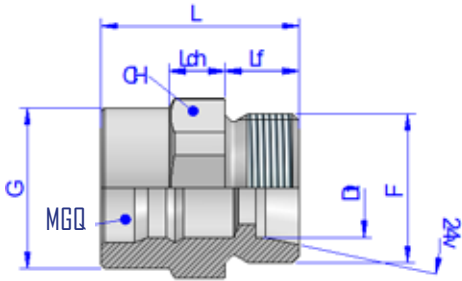
Part no.	MGQ	Size	Dimension						Weight (g)	MOQ (Box Qty)
			A	B	C	D	E	R		
MXFC45-G06-04	4	5/16 "	43,9	16,8	16	4	28,5	35,9	37	
MXFC45-G08-06	6	13/32 "	54,8	21	19	8	34	36,9	69	
MXFC45-G10-08	8	1/2 "	54,8	19,7	23	8	36,7	36,9	99	10
MXFC45-G12-10	8	5/8 "	54,8	19,7	26	10	36,7	36,9	101	

Fast clic fitting - clima din



Part no.	Size	Dimension								Weight (g)	MOQ (Box Qty)
		D	A	R	Dt	F	Lf	CH	Lch		
MXFCMD-G06-16	5/16 "	4	55,9	36,9	10	M 16 X 1,5	12	13	7	32	
MXFCMD-G08-18	13/32 "	6	56,9	36,9	12	M 18 X 1,5	12	13	8	42	
MXFCMD-G10-24	1/2 "	8	60,9	36,9	16	M 24 X 1,5	14	19	10	78	10
MXFCMD-G12-24	5/8 "	11,3	59,9	39,6	16	M 24 X 1,5	14	19	9	78	
MXFCMD-G12-26	5/8 "	13	60,9	36,9	18	M 26 X 1,5	14	21	10	89	

Adapter MGQ F-M_ISO 8434 M (DIN 24°)



Part no.	MGQ	Dimension							Weight (g)
		F	L	G	Lf	Dt	CH	Lch	
MXGTL-10-04	4	M 16 X 1,5	28	19	12	10	17	10	28
MXGTL-12-06	6	M 18 X 1,5	32	21	12	12	19	10	35
MXGTS-16-08	8	M 24 X 1,5	32	29	12	16	27	9	78
MXGTL-22-08	12	M 26 X 1,5	32	28	12	18	27	10	74

ACCESSORIES

SEALS

OP SEALS MGQ

Part no.	MGQ	MOQ (Box Qty)
MXGOP-04	4	100
MXGOP-06	6	100
MXGOP-08	8	100
MXGOP-12	12	100
MXGOP-16	16	100

PROTECTION O-RING MGQ

Part no.	MGQ	MOQ (Box Qty)
MXGOR-04	4	100
MXGOR-06	6	100
MXGOR-08	8	100
MXGOR-12	12	100
MXGOR-16	16	

ACCESSORIES

CLIPS

Part no.	MGQ	MOQ (Box Qty)
MXCLP-04	4	1000
MXCLP-06	6	500
MXCLP-08	8	500
MXCLP-12	12	250
MXCLP-16	16	250

SPANNER

Part no.	MGQ	MOQ (Box Qty)
MX0CD-04	4	1
MX0CD-06	6	
MX0CD-08	8	1
MX0CD-12	12	1
MX0CD-16	16	
MXSCH-1	4 / 6 / 8	
MXSCH-2	4 / 6 / 8 / 12	



INTERPUMP

FLUID SOLUTIONS 

Powered by I.M.M. Hydraulics

MGILLAB